

Feature

60-70 % energy saving compared to traditional light and save money.

Life span > 50,000.00 Hours, IP65 industrial standards.

Good color rendering Ra> 75, multi- color choice :2700-7000K.

Easy installation & free Maintenance.

Environmentally friendly.

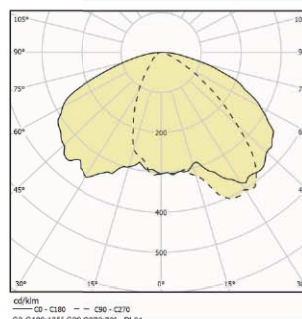
Application

Highway, City streets, Main road, Expressway, Squares, Schools, Industrial parks, Yards, Inhabitancy areas, Factories and Others.

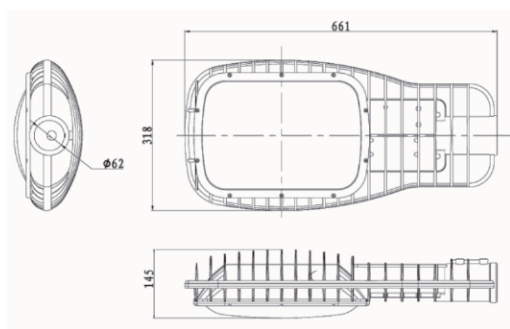
Pole's Height:6-10m

Road Width:8-18m

Polar Candela Distribution



Dimensional

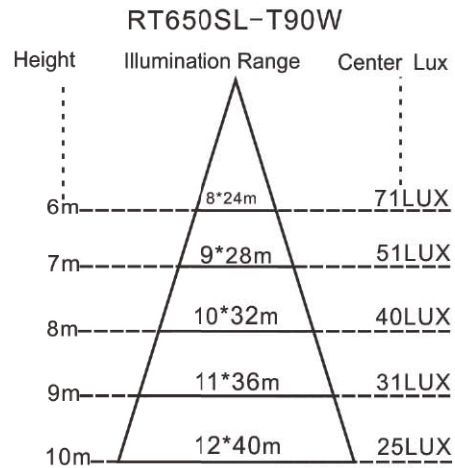
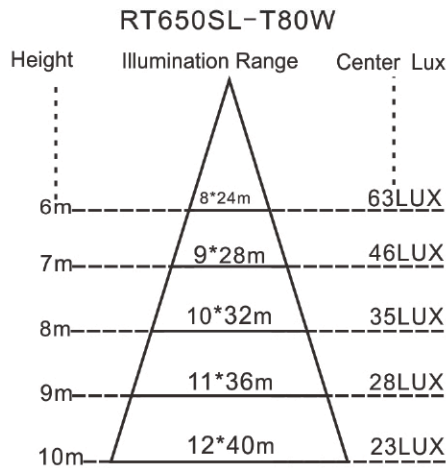
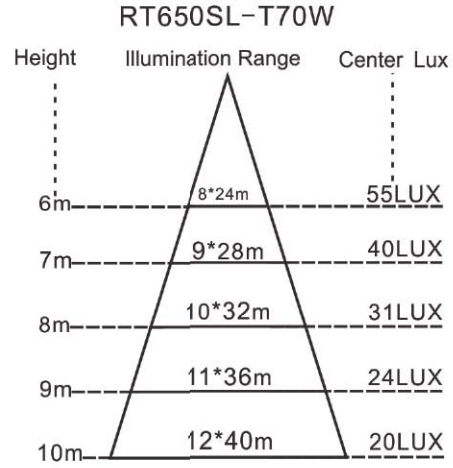
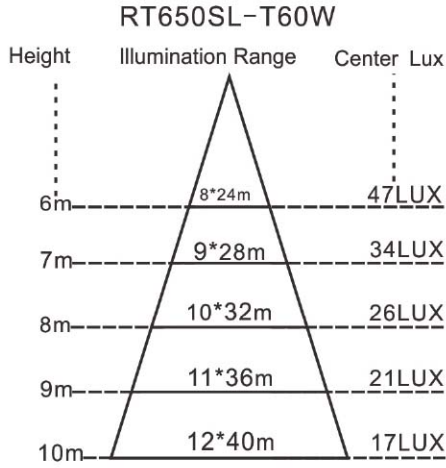


Technical Specification

| Model NO. | LED Power | Voltage | PF | LED Lumen | Total Lumen |
|---------------|-----------|---------------------------|------|----------------|---------------|
| RT650SL-T50W | 50W | AC (85V-265V) / (50-60Hz) | >0.9 | 120-130lm/watt | 6000-6500lm |
| RT650SL-T60W | 60W | AC (85V-265V) / (50-60Hz) | >0.9 | 120-130lm/watt | 7200-7800lm |
| RT650SL-T70W | 70W | AC (85V-265V) / (50-60Hz) | >0.9 | 120-130lm/watt | 8400-9100lm |
| RT650SL-T80W | 80W | AC (85V-265V) / (50-60Hz) | >0.9 | 120-130lm/watt | 9600-10400lm |
| RT650SL-T90W | 90W | AC (85V-265V) / (50-60Hz) | >0.9 | 120-130lm/watt | 10800-11700lm |
| RT650SL-T100W | 100W | AC (85V-265V) / (50-60Hz) | >0.9 | 120-130lm/watt | 12000-13000lm |

| Model NO. | Light Efficiency | Beam Angle | RA | CCT | Life Time | Weight |
|---------------|------------------|------------|-------|-------------|-----------|--------|
| RT650SL-T50W | 85% | 135° | RA>75 | 2700K-7000K | >50000Hrs | 9Kg |
| RT650SL-T60W | 85% | 135° | RA>75 | 2700K-7000K | >50000Hrs | 9Kg |
| RT650SL-T70W | 85% | 135° | RA>75 | 2700K-7000K | >50000Hrs | 9Kg |
| RT650SL-T80W | 85% | 135° | RA>75 | 2700K-7000K | >50000Hrs | 9Kg |
| RT650SL-T90W | 85% | 135° | RA>75 | 2700K-7000K | >50000Hrs | 9Kg |
| RT650SL-T100W | 85% | 135° | RA>75 | 2700K-7000K | >50000Hrs | 9Kg |

■ **Illumination Data**



Note: The data is for reference only. Due to different testing equipments and environments, the data may vary in 5%.

■ **Project Picture**

